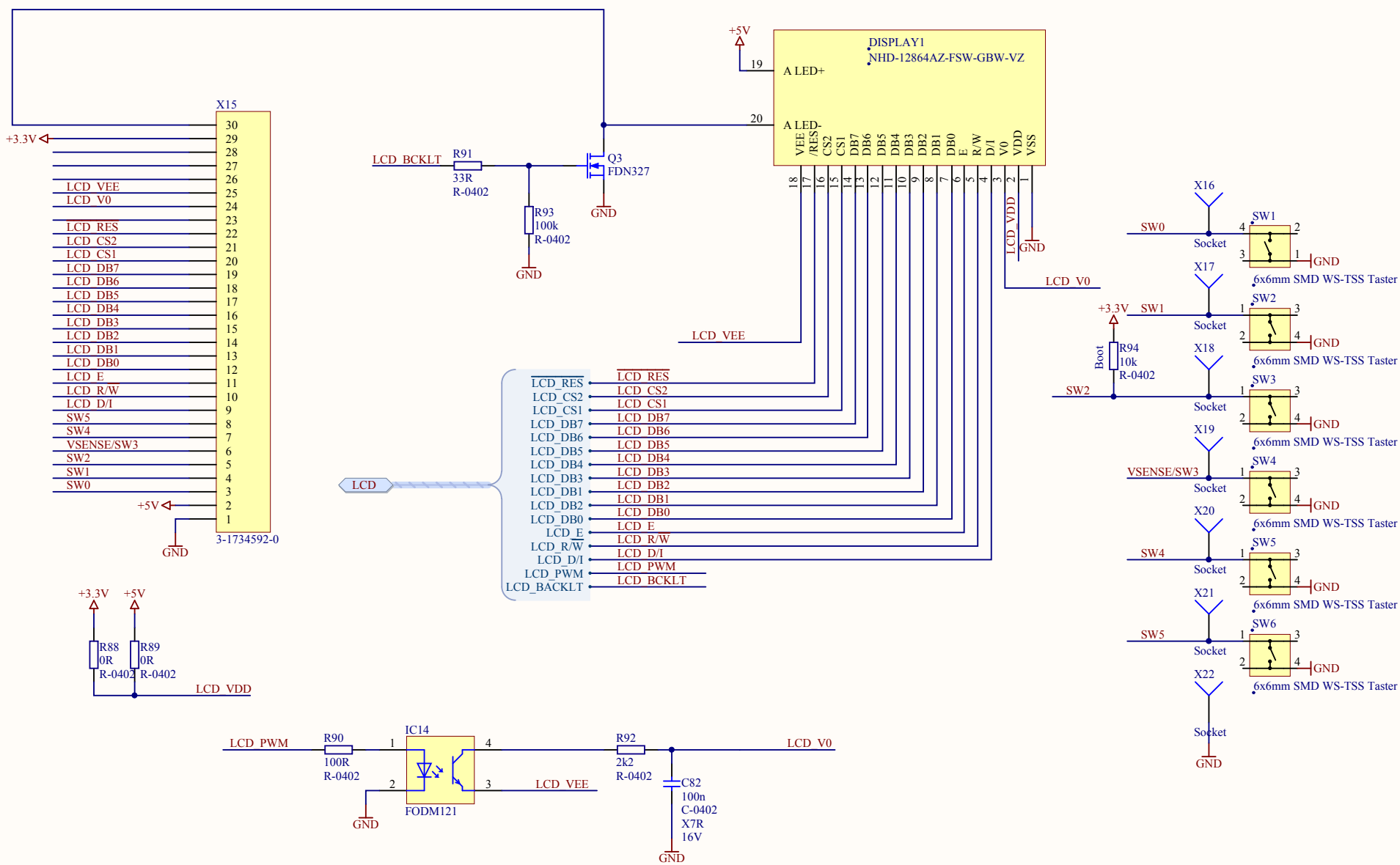


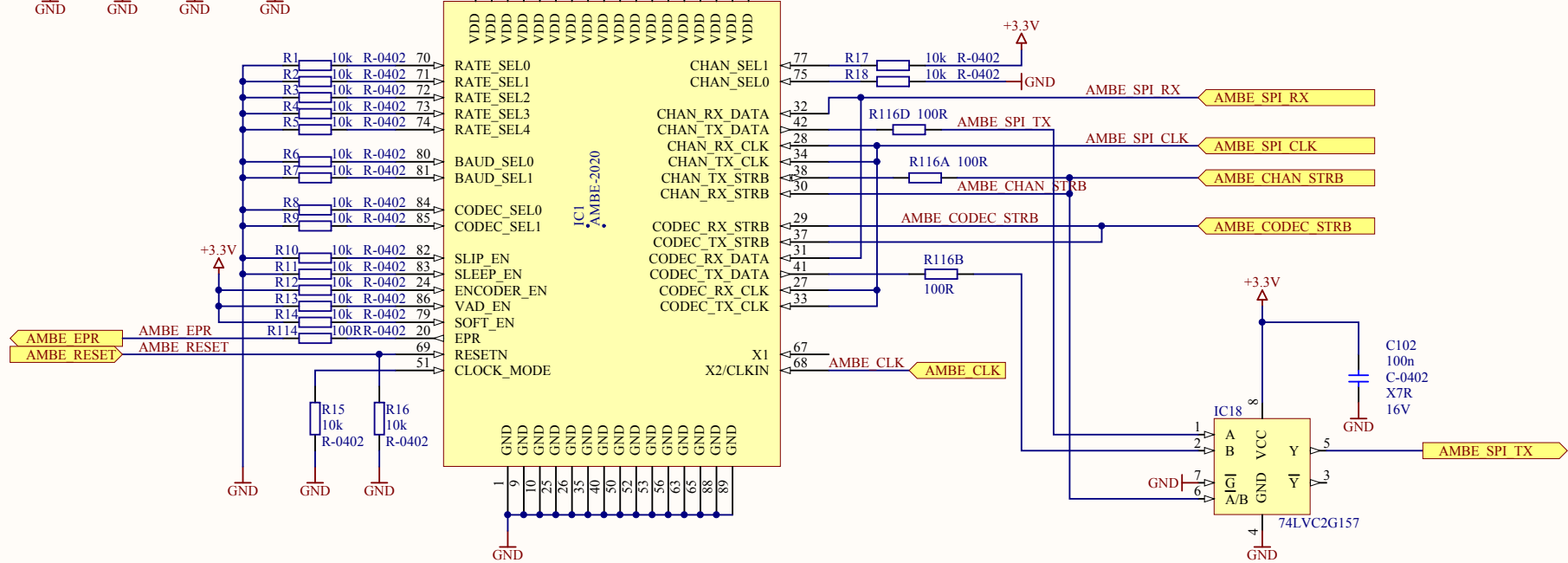
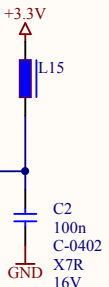
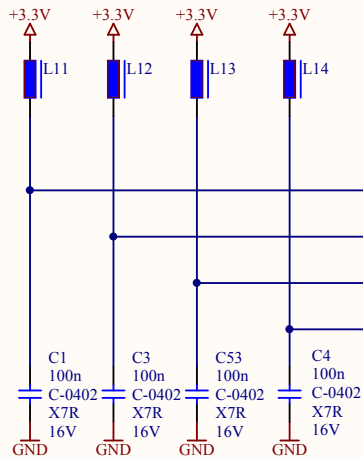
Title UPADAR PHY		
Size: A4	Number: P2.xxx.yyy.z	Revision: V2
Date: 28.09.2012	Time: 15:40:22	Sheet 1 of 3

BEDEROV GmbH

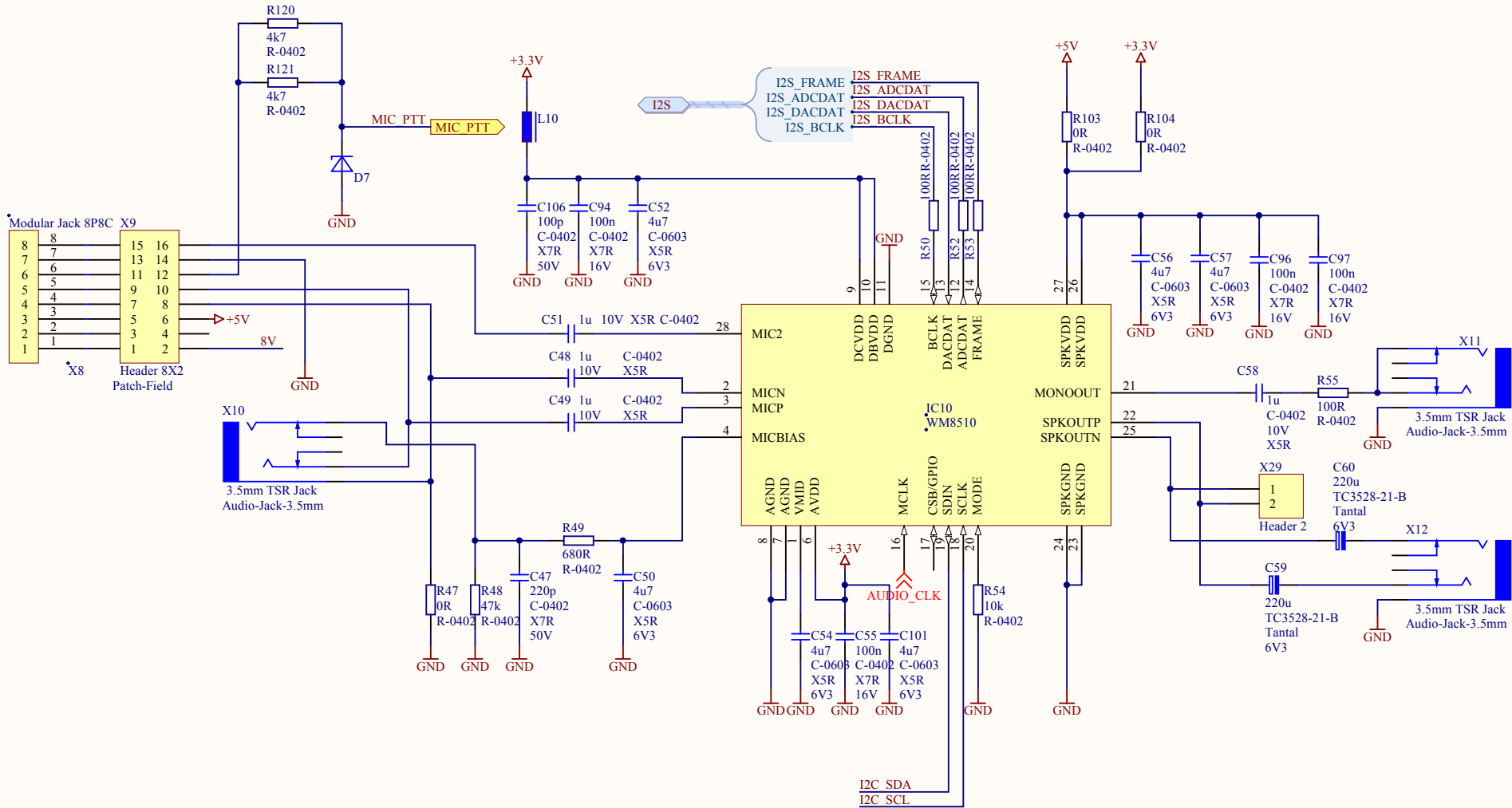


Title UP4DAR Display/Keyboard (On-Board)		
Size: A4	Number: P2.xxx.yyy.z	Revision: V2
Date: 28.09.2012	Time: 15:40:23	Sheet 1 of 3

BEDEROV GmbH

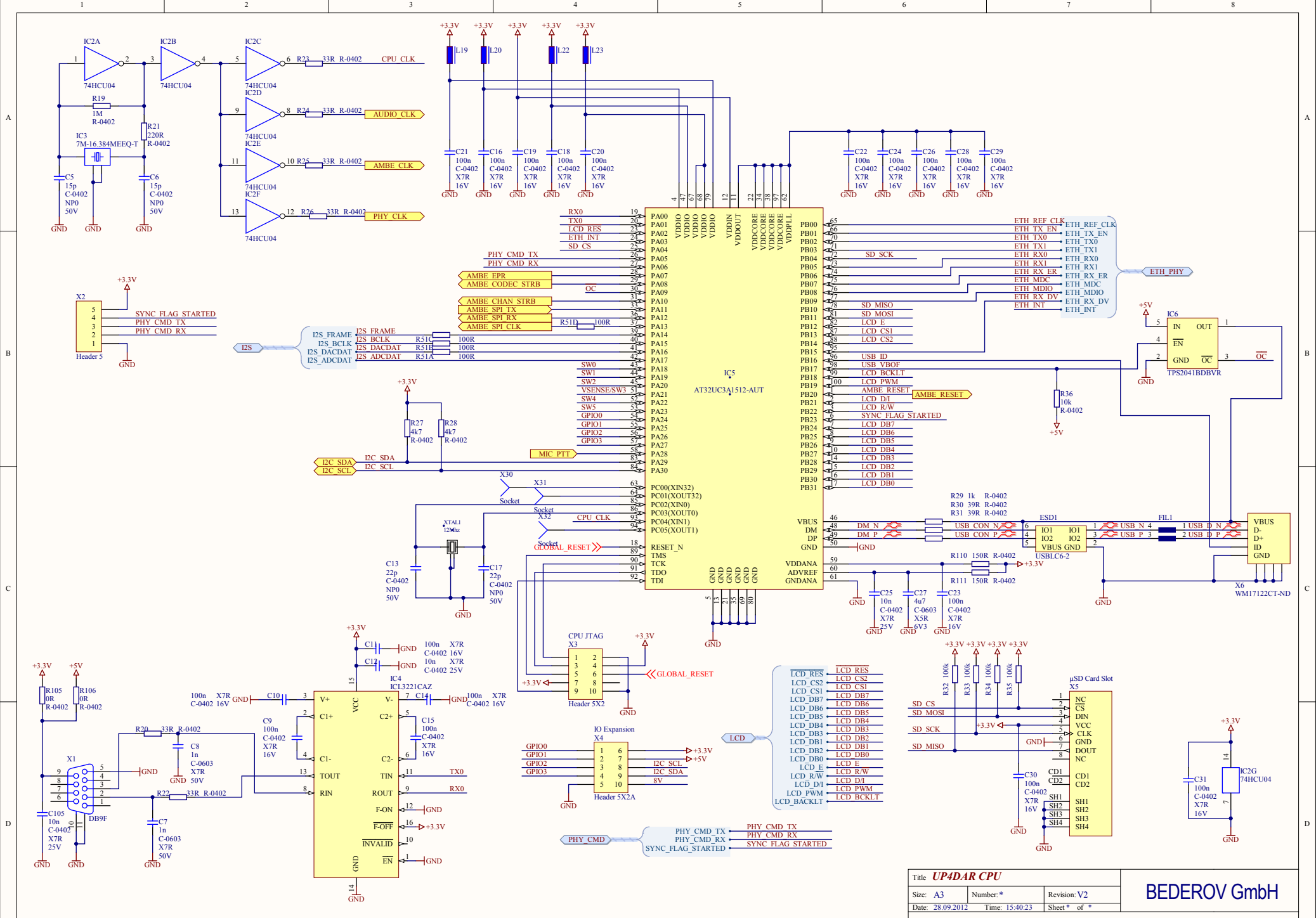


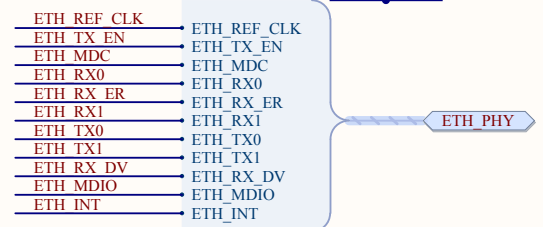
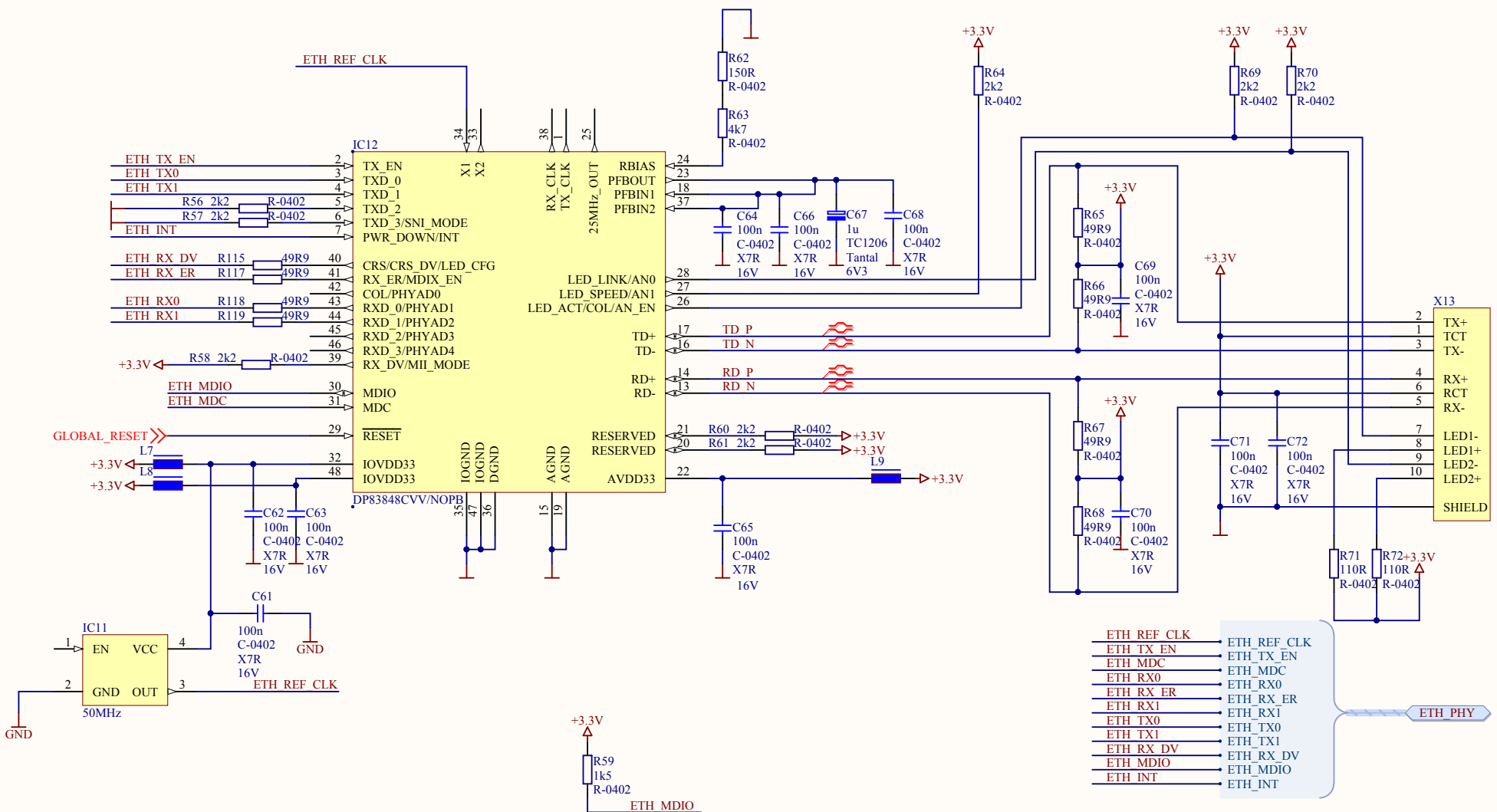
Title UP4DAR AMBE Vocoder			BEDEROV GmbH
Size: A4	Number: *	Revision: V2	
Date: 28.09.2012	Time: 15:40:23	Sheet* of *	



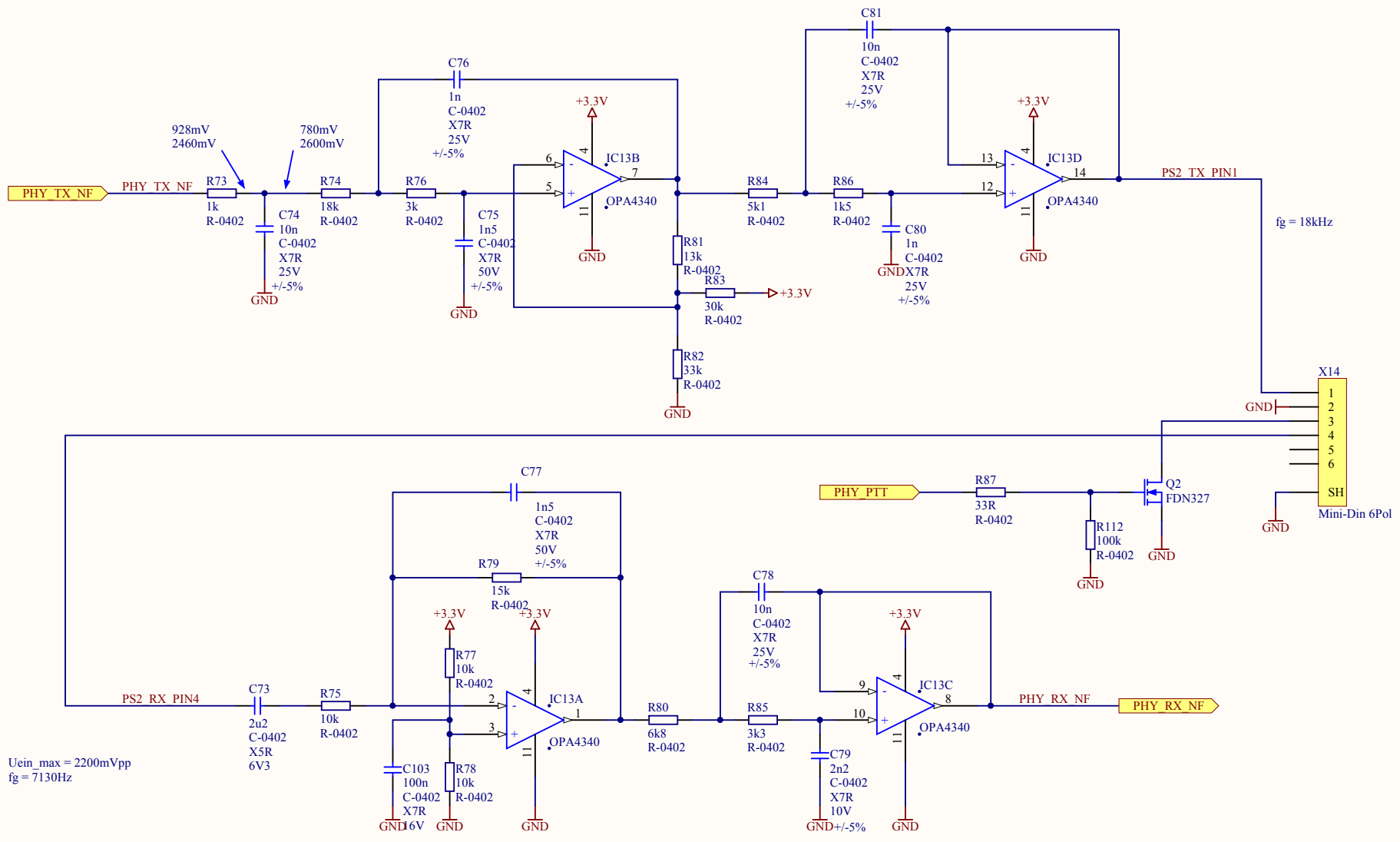
Title UP4DAR Audio Codec		
Size: A4	Number: *	Revision: V2
Date: 28.09.2012	Time: 15:40:23	Sheet* of *

BEDEROV GmbH





Title UP4DAR Ethernet			BEDEROV GmbH
Size: A4	Number: *	Revision: V2	
Date: 28.09.2012	Time: 15:40:23	Sheet* of *	

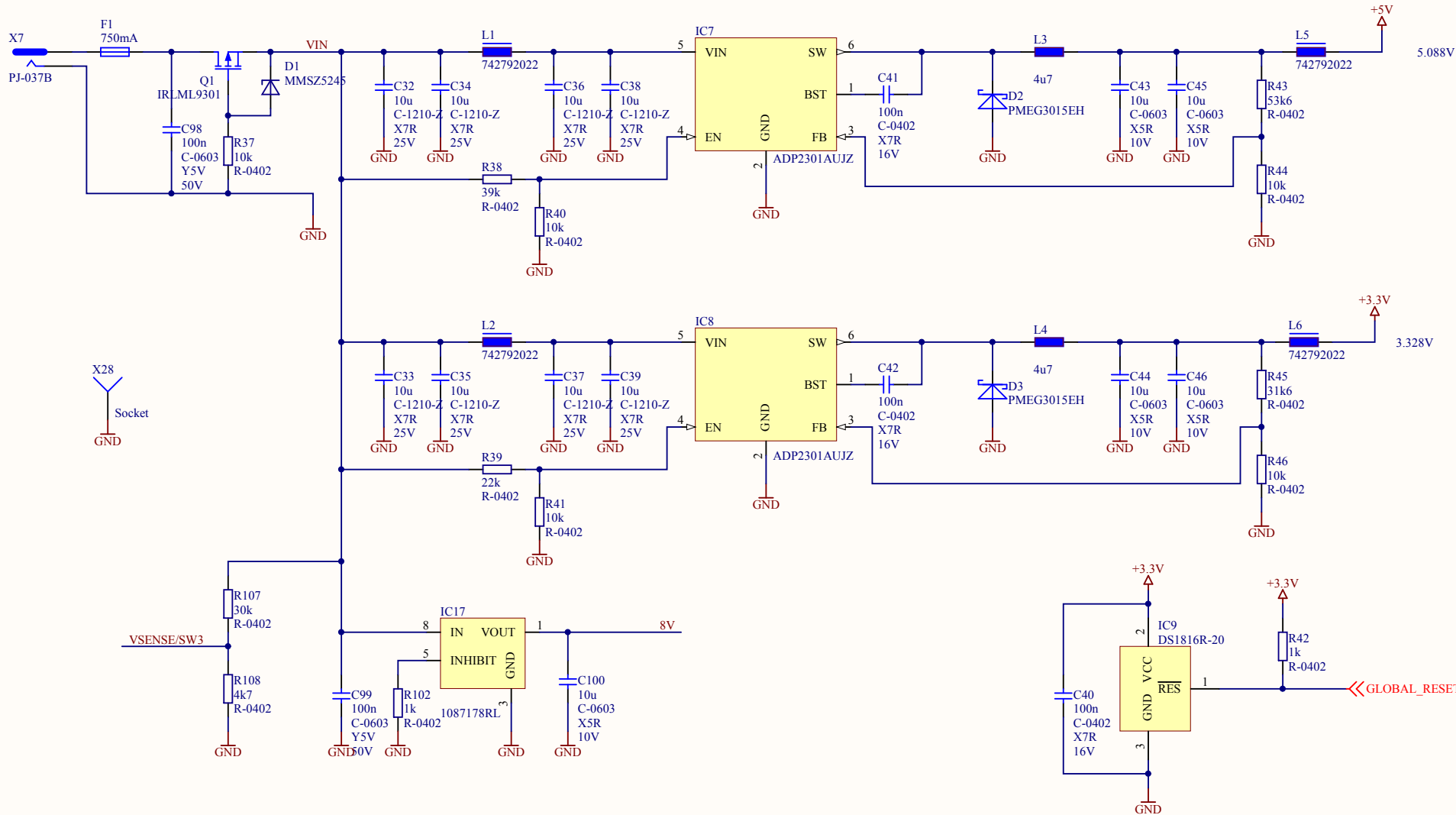


U_{ein_max} = 2200mVpp
 fg = 7130Hz

fg = 18kHz

Title UP4DAR NF Frontend		
Size: A4	Number: *	Revision: V2
Date: 28.09.2012	Time: 15:40:23	Sheet* of *

BEDEROV GmbH



PM1
MARKER

PM2
MARKER

Title UP4DAR Netzteil			BEDEROV GmbH
Size: A4	Number: *	Revision: V2	
Date: 28.09.2012	Time: 15:40:23	Sheet* of *	